



DOCK FURNITURE

TOOLS REQUIRED:

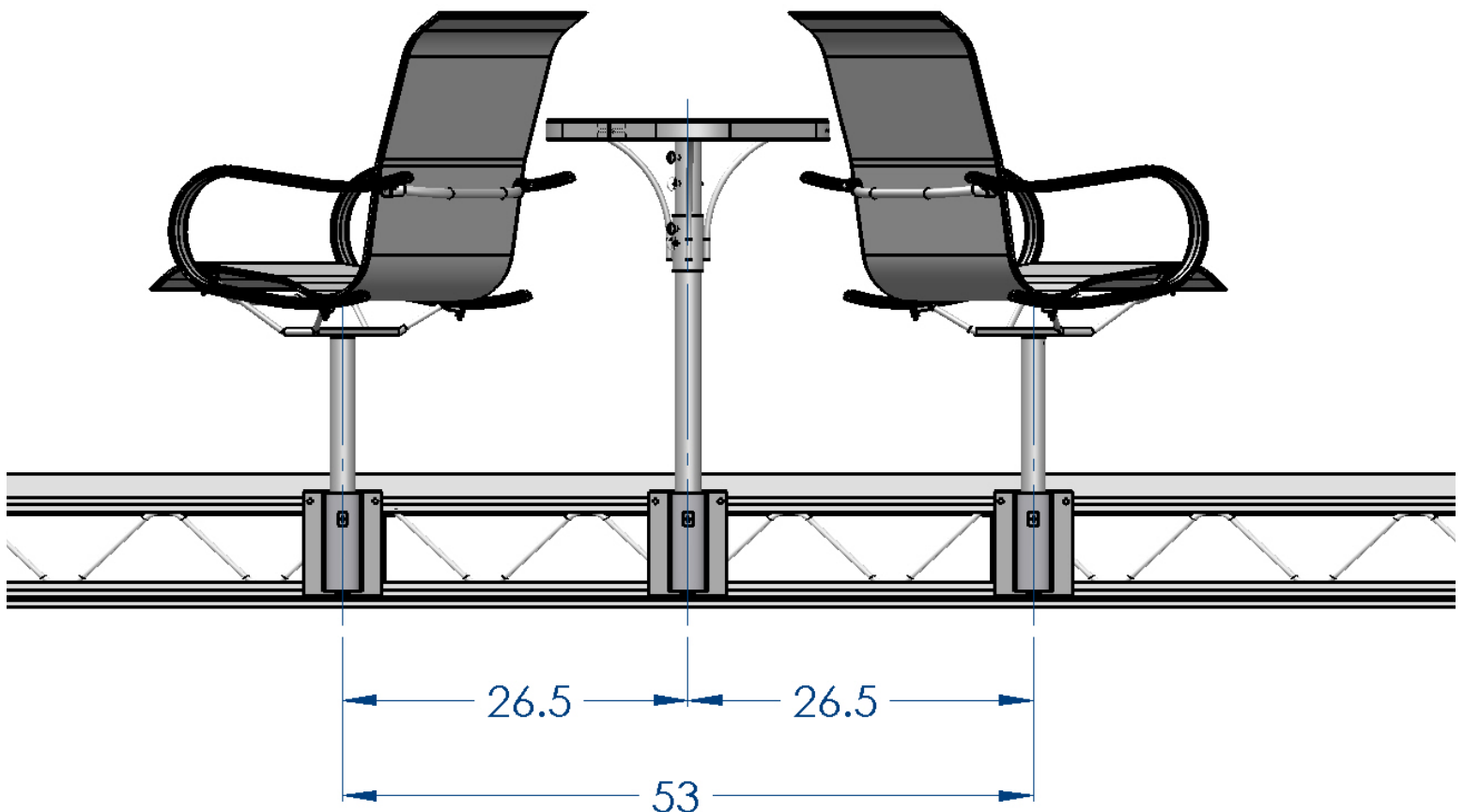
- 7/32" Allan Key

FURNITURE ADJUSTMENT:

- (2) Schedule 80 (thicker tube) mounts for Chairs
- (1) Schedule 40 (thinner tube) mount for table.
- The furniture mounts comes pre-mounted to the accessory plate as shown.
- Before installing you will need to loosen the T-nuts so that there is no pressure exerted from the lock washer.
- Once installed tighten the set-screw with a 7/32" allen key.

IMPORTANT:

Make sure T-nut is properly engaged in accessory track.

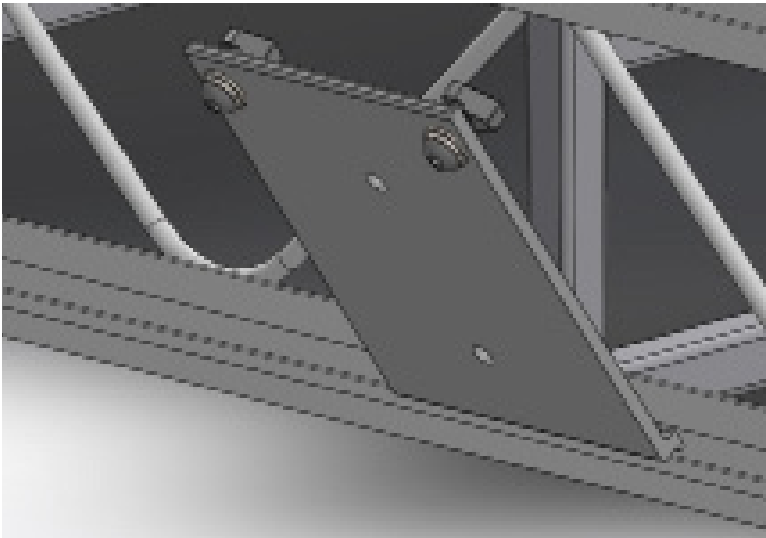
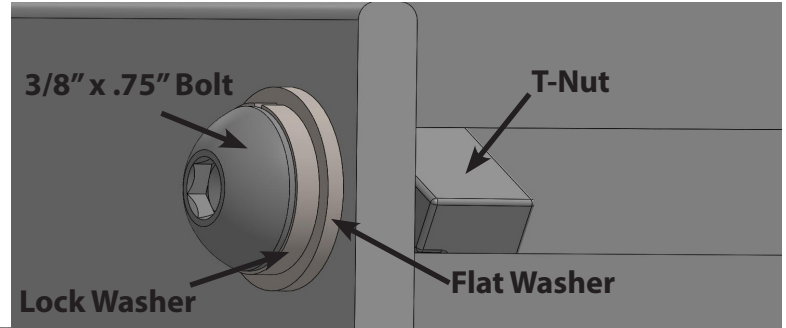


ACCESSORY INSTALLATION

TOOLS REQUIRED:

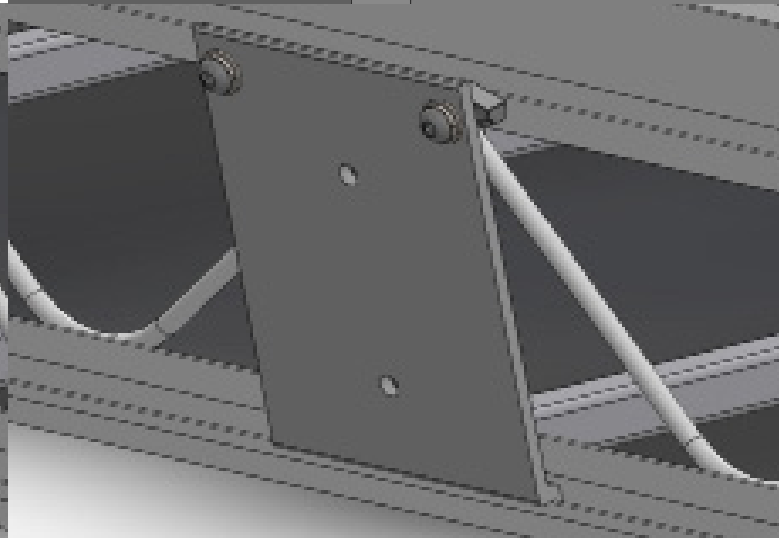
- 7/32" Allan Key

Make sure the bolt is loosely threaded on the T-nut, there should be no pressure on the bolt from the lock washer.



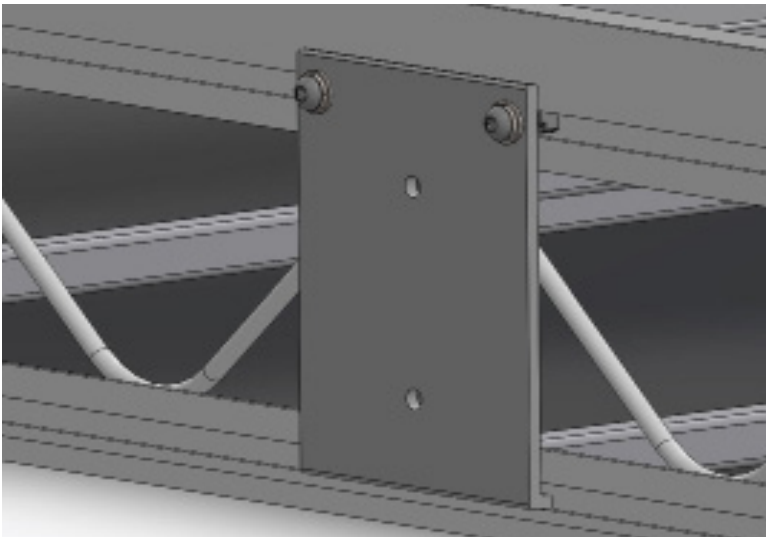
STEP 1:

- Loosen off the bolt, so it is loosely threaded to the T-nut.
- Place the accessory plate in the bottom track extrusion.



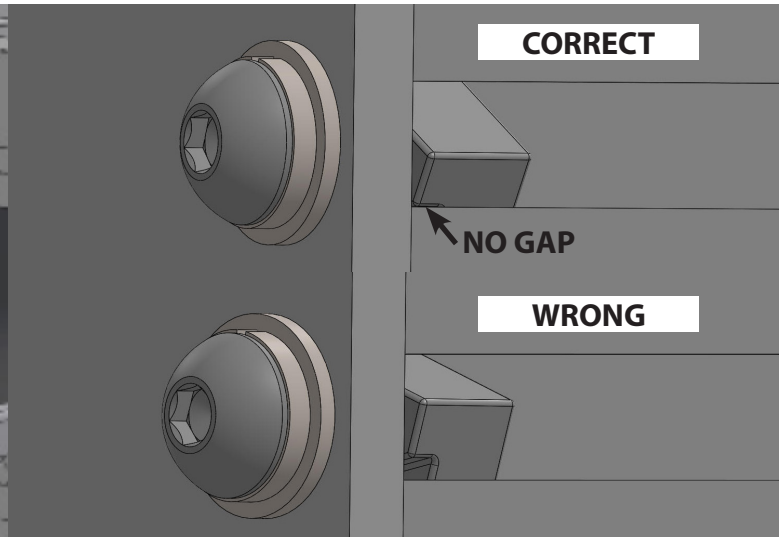
STEP 2:

- Pivot the accessory plate up.



STEP 3:

- Insert the T-nuts into the track and tighten with a 7/32 allan key. The nuts should rotate until they lock into the track.



STEP 4:

- Check to make sure the T-nuts are properly engaged, if there is a gap, loosen the bolt and re-tighten.

IMPORTANT: T-NUT MUST BE PROPERLY ENGAGED FOR SAFETY