

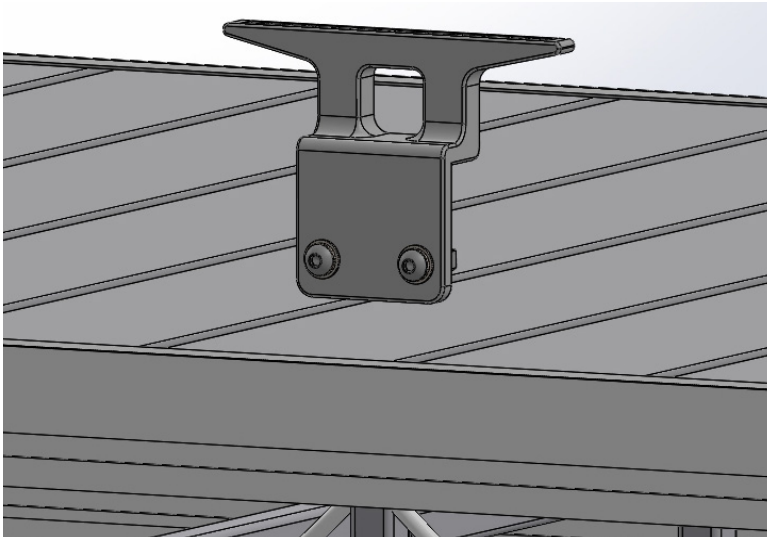


DOCK CLEAT

TOOLS REQUIRED:

- 7/32" Allan Key

Make sure the bolt is loosely threaded on the T-nut, there should be no pressure on the bolt from the lock washer.

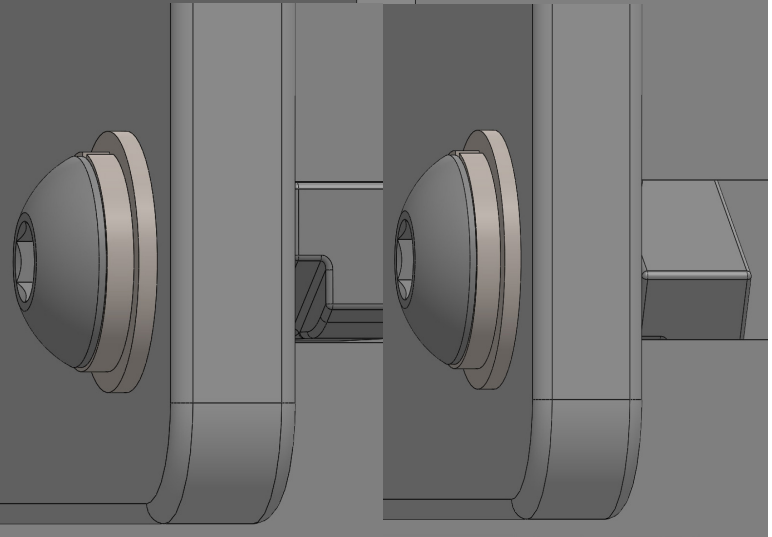


3/8" x .75" Bolt

T-Nut

Lock Washer

Flat Washer

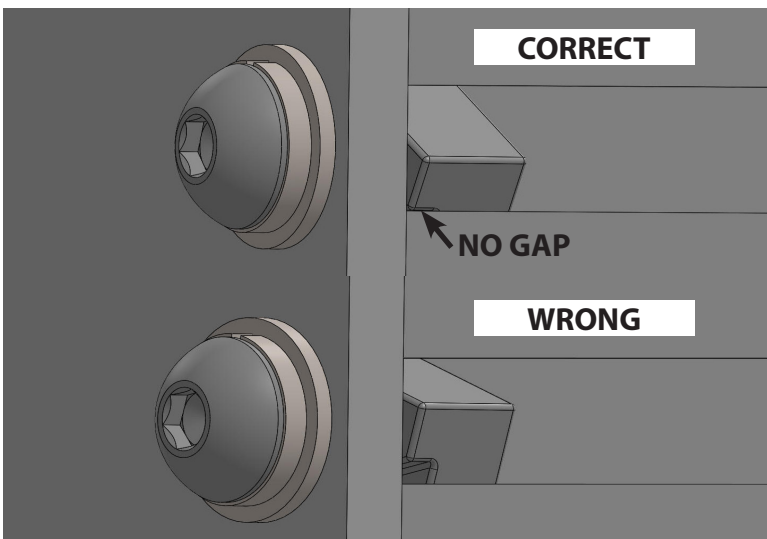


STEP 1:

- Loosen off the bolt, so it is loosely threaded to the T-nut.

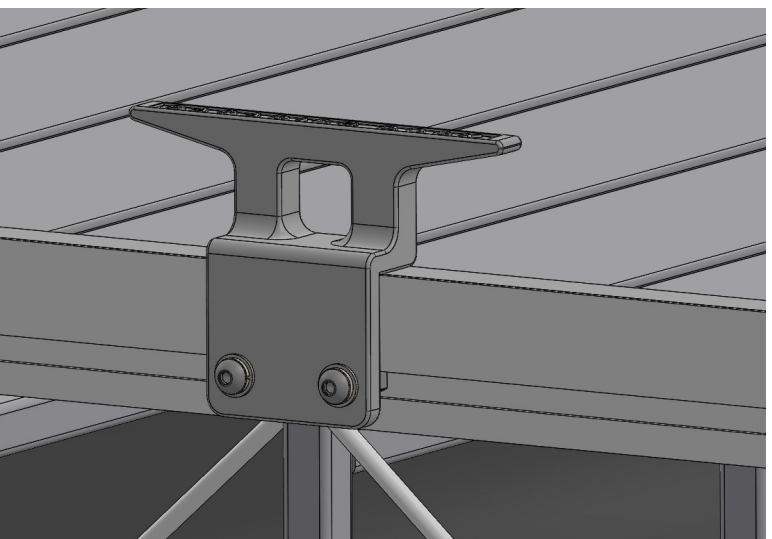
STEP 2:

- Insert the T-nuts into the track and tighten with a 7/32 allan key. The nuts should rotate until they lock into the track.



STEP 3:

- Check to make sure the T-nuts are properly engaged, if there is a gap, loosen the bolt and re-tighten.



STEP 4:

- Cleat is now installed, to move the cleat simply loosen the bolts, slide in the track to desired position and re-tighten.

IMPORTANT: T-NUT MUST BE PROPERLY ENGAGED FOR SAFETY